

# U.are.U® 4500 Reader

Optical USB Fingerprint Reader



## TARGET APPLICATIONS

- Desktop PC security
- Mobile PCs
- Custom applications

## FEATURES

- Blue LED
- Small form factor
- Excellent image quality
- Superior ESD resistance
- Encrypted fingerprint data
- Latent print rejection
- Counterfeit finger rejection
- Rotation invariant
- Rugged
- Works well with dry, moist or rough fingerprints
- Compatible with Windows® 7, Vista, XP Professional, 2000 and Windows Server 2000, 2003, 2008

## KEY SPECIFICATIONS

- Pixel resolution: 512 dpi (average x, y over the scan area)
- Scan capture area: 14.6 mm (nom. width at center) 18.1 mm (nom. length)
- 8-bit grayscale (256 levels of gray)
- Reader size (approximate): 65 mm x 36 mm x 15.56 mm
- Compatible with USB 1.0, 1.1 and 2.0 (Full Speed) specifications

## PRODUCT DESCRIPTION

The U.are.U 4500 Fingerprint Reader is a USB peripheral perfect for individual desk top users, as well as multiple users in shared environments. Its compact design conserves desk space in enterprises, and its professional, modern appearance looks elegant in point-of-sale environments. The U.are.U 4500 Reader utilizes optical fingerprint scanning technology to achieve excellent image quality, a large capture area and superior reliability. A silicone coating allows it to read a wide range of fingerprints accurately and rapidly regardless of placement angle. The high-quality metal casing resists unintentional movement.

To use, simply place a finger on the reader window and the reader quickly and automatically captures and encrypts the fingerprint image before sending it to the DigitalPersona® FingerJet™ biometric engine for verification. For superior user feedback, a red “flash” indicates that a fingerprint image has been captured.

The U.are.U 4500 Fingerprint Reader is designed for use with DigitalPersona’s full range of software including our authentication solutions, DigitalPersona® Pro Enterprise and DigitalPersona® Online, as well as our U.are.U Software Development Kits (except for the U.are.U® SDK for Android). Whether you are an enterprise customer or a system integrator, DigitalPersona’s biometric identity verification solutions provide a natural extension to your security system and applications.

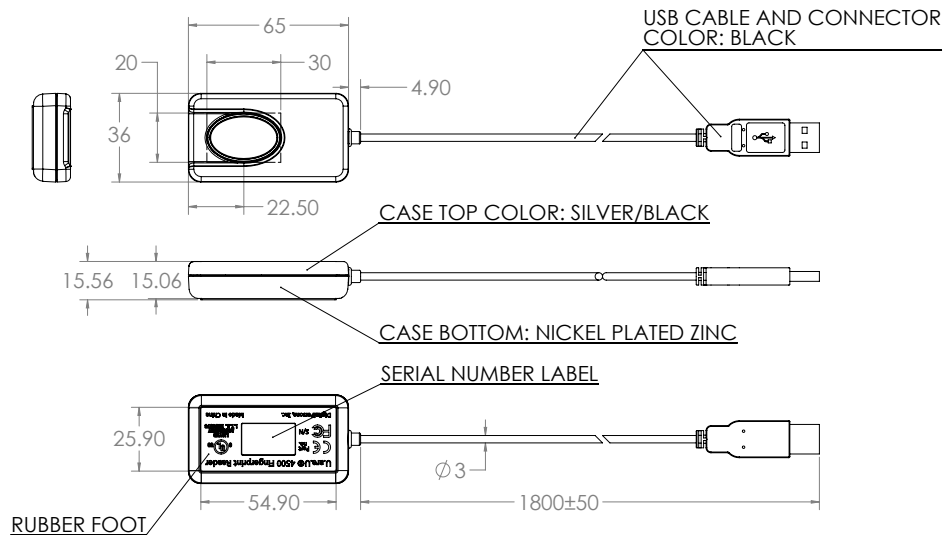
## ABOUT DIGITALPERSONA, INC.

DigitalPersona offers the world’s broadest portfolio of biometrics-based identity verification solutions. Applications range from highly secure banking environments and complex government identity programs to basic point-of-sale retail systems. Our solutions verify the identity of more than 200 million authorized users worldwide and significantly reduce the risk of fraud, theft and unauthorized access. Offerings for end-users and system integrators include industry-specific software applications, complete SDKs and a full range of optical, silicon, touch, swipe and embedded readers.

# U.are.U® 4500 Reader

## Optical USB Fingerprint Reader

### Mechanical Specifications



ALL DIMENSIONS ARE IN MILLIMETERS

### RATINGS

<b>Supply Voltage</b>	5.0V ±5% supplied by USB
<b>Supply Current—scanning</b>	< 100 mA (Typical)
<b>Supply Current—idle mode</b>	120 mA (Typical)
<b>Supply Current—suspend mode</b>	< 0.5 mA (Maximum)
<b>ESD Susceptibility</b>	>15 kV, mounted in case
<b>Temperature, Operating</b>	0 - 40 C
<b>Humidity, Operating</b>	20% - 80% non-condensing
<b>Temperature, Storage</b>	-10 - 60 C
<b>Humidity, Storage</b>	20% - 90% non-condensing
<b>Scan Data</b>	8-bit grayscale
<b>Standards Compliance</b>	FCC Class B, CE, ICES, BSMI, MIC, USB, WHQL
<b>Weight</b>	105 grams
<b>Interface</b>	USB 2.0 Full-speed High Power Device

Data subject to change without notice.